

# SERIES S 20 | LINE REGULATOR

- Bellow single stage
- Purity up to 6.0
- Inlet pressure: 50 bar (725 psi)
- Outlet pressure: 1/3/10 bar 14.5/44/145 psi

- ★ Accurate pressure delivery
- ★ Compact design
- ★ 2 inlets / 2 outlet
- ★ Rear Inlet for panel mounting
- ★ O<sub>2</sub> application compatible (see technical data)

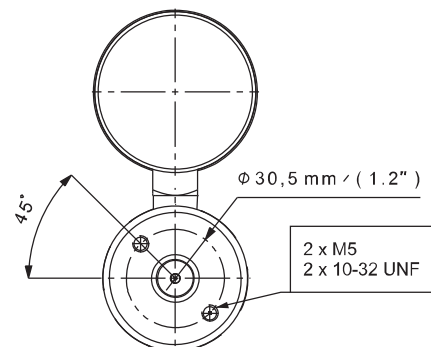
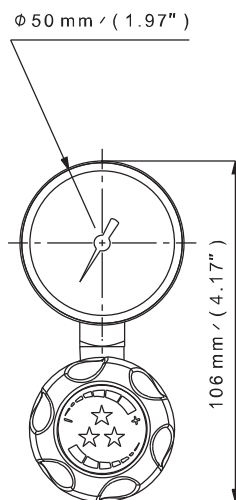
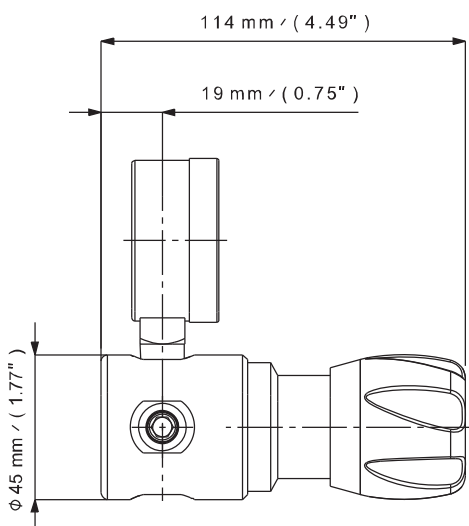
Special requirements on request

## APPLICATIONS

- Used as a line or point of use regulator for specialty gas applications requiring very precise repeatability and a high precision of outlet pressure
- Ideally suited for laboratory applications like: gas delivery to inductive plasma spectrometer, protection and support gas for chromatograph.

## KEY FEATURES

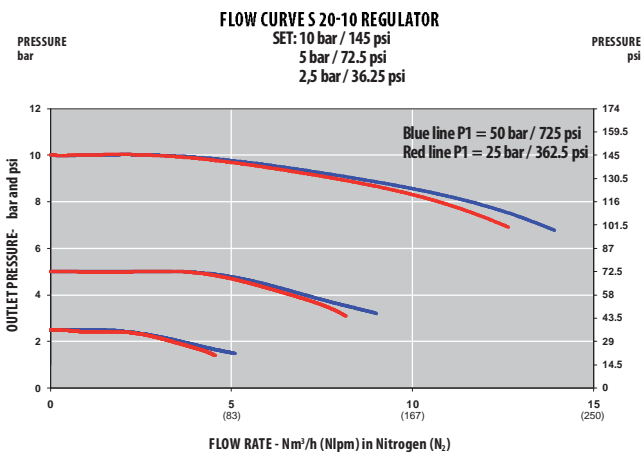
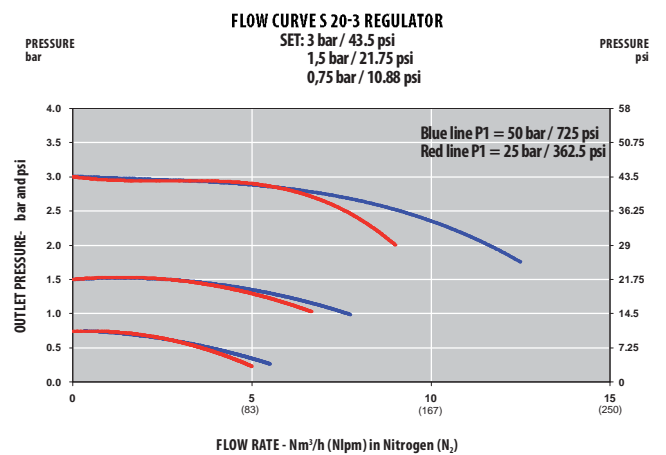
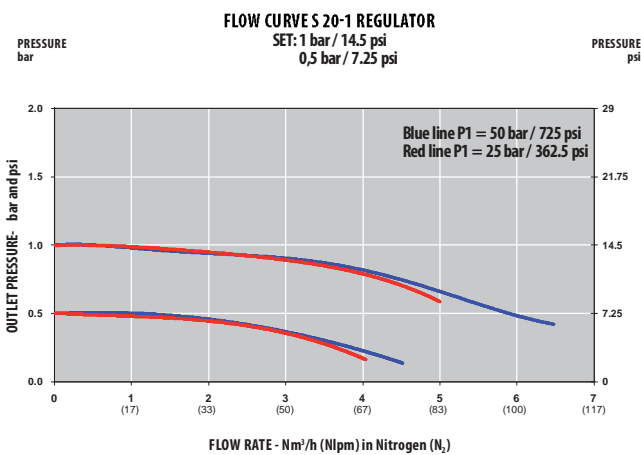
- Bellow technology provides a large range of accurate outlet pressures in a compact design.
- With its compact design, the rear threads and its fixing ring (option) it can be used for wall or panel mounting.
- Acetylene version available: Series S 20 AD ff S 25 AD (See pages 66 and 68)



SPECIFICATIONS

Female ports	G 3/8 or 1/4 NPT (inlet/outlet)	Weight	☒ 0,5 kg ☒ 1.1 lbs	Inlet pressure	50 bar 725 psi
Seat seal	EPDM	Leak rate	10 <sup>-8</sup> mbar ℓ/s He	Outlet pressure	1/3/10 bar 14.5/44/145 psi
O-ring	EPDM - Standard NBR FPM	Temperature range	- 20°C to fl 60°C - 4°F to fl 140°F	Nominal Flow	2/2,5/3,5 Nm <sup>3</sup> /h (N <sub>2</sub> )
Bellow	Bronze or AISI 316L (SS version)	Gauges	Low pressure (M10 x 1 or 1/4 NPT)	Oxygen use	inlet pressure ≤ 30 bar max. for brass and stainless steel

FLOW CURVES



PRODUCT CONFIGURATOR

Body Material		Outlet Pressure	End Connections	O-ring Material	Gauge	Mounting	Ports Configuration
S	L	20	10	G	EPDM	1	A
	Chrome plated brass	1 bar 14.5 psi	1	G 3/8 - G 3/8	EPDM - Standard	Without	Without Fixing Ring
	Stainless steel	3 bar 44 psi	3	1/4 NPT - 1/4 NPT	NBR	With	With Fixing Ring
		10 bar 145 psi	10		FPM		
							FR0 Standard Configuration
							FR1 Reverse inlet/outlet