

SERIES D 230 | DUAL STAGE HP REGULATOR

- Piston/bellow dual stage
- Purity up to 6.0
- Inlet pressure: 200 bar (2900 psi)
- Outlet pressure: 1/3/10 bar 14.5/44/145psi

- ★ Compact and light-weight design
- ★ 1 inlet / 2 outlets
- ★ O₂ application compatible (brass only)
- ★ Inlet/outlet pressure gauges
- ★ 1 safety relief valve

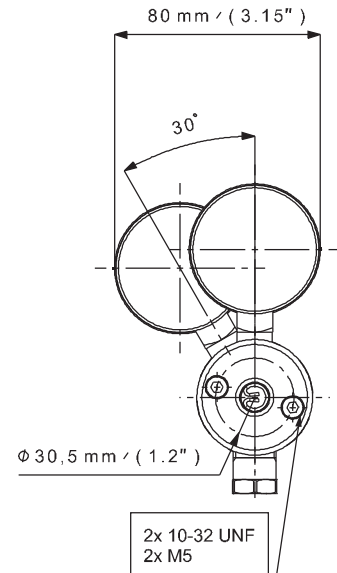
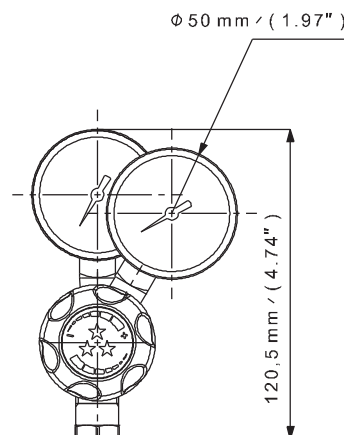
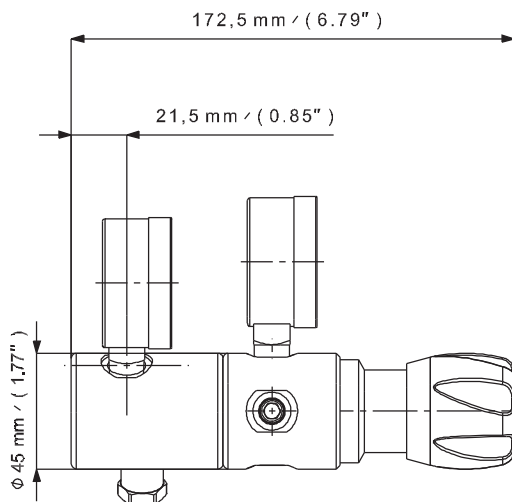
Special requirements on request

APPLICATIONS

- Designed for cylinder regulator applications.
- Ideally suited for pure, inert and mildly corrosive gas applications requiring a very stable outlet pressure together with a very sensitive set up of this outlet pressure.

KEY FEATURES

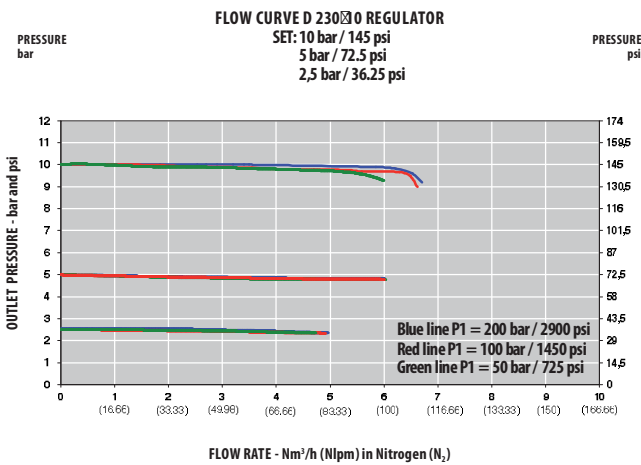
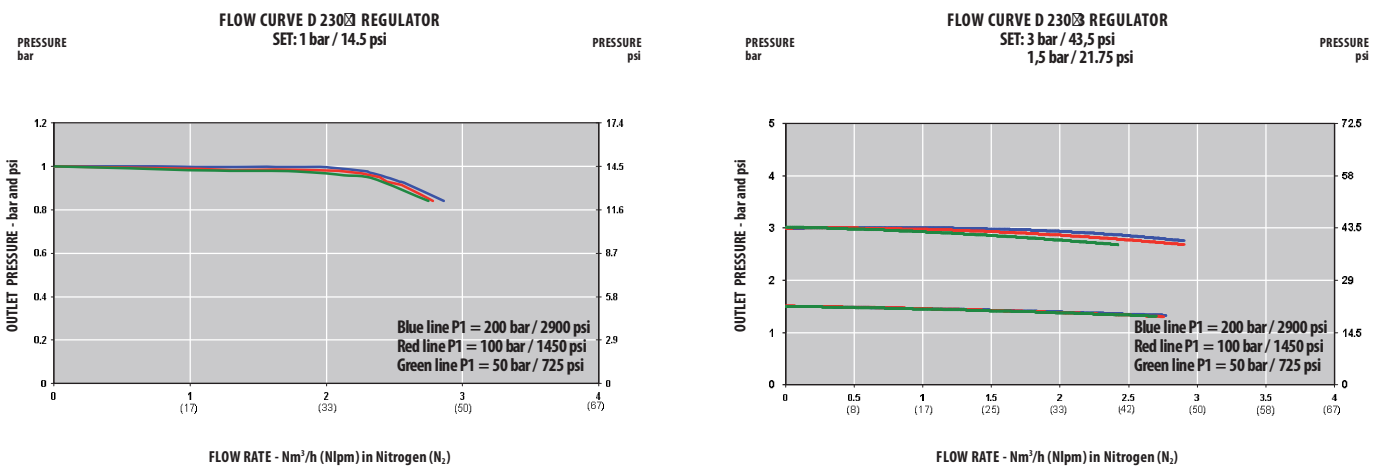
- The D 230 regulator is based on the S 20 proven bellow technology.
- Accurate pressure control for reliable service and guarantees a stable outlet pressure due to the combination of the piston and bellow technology.
- Compact and lightweight design.
- Fixed outlet pressure version available.



SPECIFICATIONS

Female ports	16 x 1.336 (inlet) - G (outlet) or NPT (inlet/outlet)	Weight	1,6 kg 3.5 lbs	Inlet pressure	200 bar 2900 psi
Seat seal	PTFE	Leak rate	10 ⁻⁸ mbar/s He	Outlet pressure	1/3/10 bar 14.5/44/145 psi
O-ring	EPDM - Standard NBR FPM	Temperature range	- 20°C to 60°C - 4°F to 140°F	Nominal Flow	2/2,5/3,5 Nm ³ /h (N ₂)
Piston	Brass (Brass version) AISI 316L (SS version)	Gauges	High and low pressure (M10 x 1 or NPT)	Oxygen use	Brass only
Below	Bronze or AISI 316L (SS version)				

FLOW CURVES



PRODUCT CONFIGURATOR

Body Material		Outlet Pressure	End Connections	O-ring Material	Gauges	Handwheel		
D	L	230	N	EPDM	1	H		
	Chrome plated brass	10	1	In: 16 x 1.336 Out: G	Without	0	With - standard	H
	Stainless steel	3	3	In: NPT Out: G	With	1	Without (Red outlet pressure)	FX
		10	10	NPT (inlet/Outlet)				